

R L

INSTRUCTIONS FOR INSTALLING AN ACMRTRON™, SERIES 600, COIN MECHANISM REPLACEMENT KIT IN A NATIONAL VENDORS®, MERCHANDISER EQUIPPED WITH A MECHANICAL ACMR COIN MECHANISM

CHECK THE PARTS RECEIVED IN THE KIT WITH THE PARTS LIST IN THESE INSTRUCTIONS. FIGURE 1 SHOWS ALL THE PARTS IN THE KIT. IF ANY PARTS ARE MISSING, CONTACT NATIONAL VENDORS' PARTS DEPARTMENT IMMEDIATELY.

Kit number 5580070 contains the following:

Part Number	Description	Quantity
5580069	Installation Instructions	1
5580068	ACMR Instruction Label	1
5580067	ACMR Adaption Harness	1
5580060	End Arm Cam Washer	1
5580056	Cam & End Arm Assembly	1
5580001	ACMRTRON™ Series 600	1
6131143	Cable Clamp	3
2204513	Self-clinching wire tie (medium)	1
5580072	Lubricant	1

INSTALLATION

1. Disconnect the Merchandiser Cord from the Service outlet. Open the Cabinet door and remove the Mechanism Assembly.

CAUTION

The Mechanism Assembly is heavy. To prevent injury, use two people to remove or replace the Unit.

Take the ACMR Adaption Harness and the Cable Clamps, included in the Kit, and install as shown in Figure 2.

NOTE

The Adaption Harness has been made to accommodate various Merchandisers. If excessively long, take up the slack and tie together with the wire tie included in the Kit.

2. After completing the above, remove the Slug Rejector and the ACMR from the sidewall of the Mechanism Assembly. Retain the screw and wing nut, they will be used to attach the new coin unit. Once the sidewall is exposed, remove the Slug Chute Assembly.

NOTE

Retain all the other parts requiring removal, they will be reassembled once the Slug Chute Assembly has been removed.

See Figure 3A, 3B, and 3C for the various configurations.

Before proceeding to the next step, check the Coin Handling Mounting Brackets and adjust them to their highest limits. See Figure 3A, 3B, and 3C. In some installations, when the Coin Return Knob is pulled down, after making a test vend, the Coin Return Door will not fall. In these situations the Coin Handling Mounting Brackets should be adjusted to their lowest limits.

3. Take the new coin unit and mount it on the sidewall using the Cam & End Arm Assembly; the new, yellow, End Arm Cam Washer; both supplied with the kit, plus the screw and wing nut previously removed. See Figure 4. Replace the Slug Rejector.

NOTE

Check the REAR Slug Rejector Bracket before replacing the Slug Rejector. If there is a washer between the Bracket Spacer and sidewall, remove it. See Figure 4.

PRICE SETTING INSTRUCTIONS FOR A NATIONAL VENDORS' ACMRTRON, SERIES 600, COIN MECHANISM

1. GENERAL INFORMATION.
The ACMRTRON is capable of reading all coin or free prices, ranging from 1¢ to 99.9¢, in increments of 1¢. It will accept Nickels, Dimes, and/or Quarters in any combination, but it will not make change.

The Unit can be set for **REACTY PRICE** or **OVERLAY**. With Reacty Price, the exact amount of change must be returned to make a total. With Overlay, if it is not necessary to have exact change to make a total.

2. PRICE SETTING
Price Setting is easily accomplished by the use of two Rotary Switches. The TOP switch is used for HIGH price reading and the BOTTOM switch for LOW or single price reading.

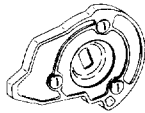
Whether reading 1¢, one or two prices, the Price Shaft, driven on the Price Selector Shaft must be set in either the operating or set position. On Machines with two Price Selector Shafts, the Machine Price Selector Shaft is not used.

3. READY INDICATOR.
When only the Green light is on, the Coin Disk is operational.

4. COIN INSERTION.
The Green light is on and the Red light FLASHES when coins are entering the device.

5. NOTES
A minimum of one hour must be made before placing the Coin Disk into service.

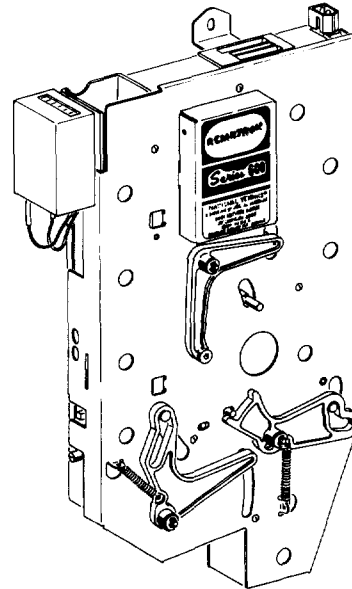
**ACMRTRON INSTRUCTION LABEL
5580068 (1)**



**CAM & END ARM ASSEMBLY
5580056 (1)**



**END ARM CAM WASHER
5580060 (1)**



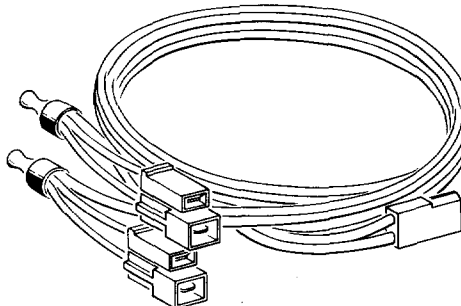
**ACMRTRON
SERIES 600
5580001 (1)**



**SELF-CLINCHING
WIRE TIE (MEDIUM)
2204513 (1)**



**CABLE CLAMP
6131143 (3)**



**ACMR ADAPTION HARNESS
5580067 (1)**

FIGURE 1

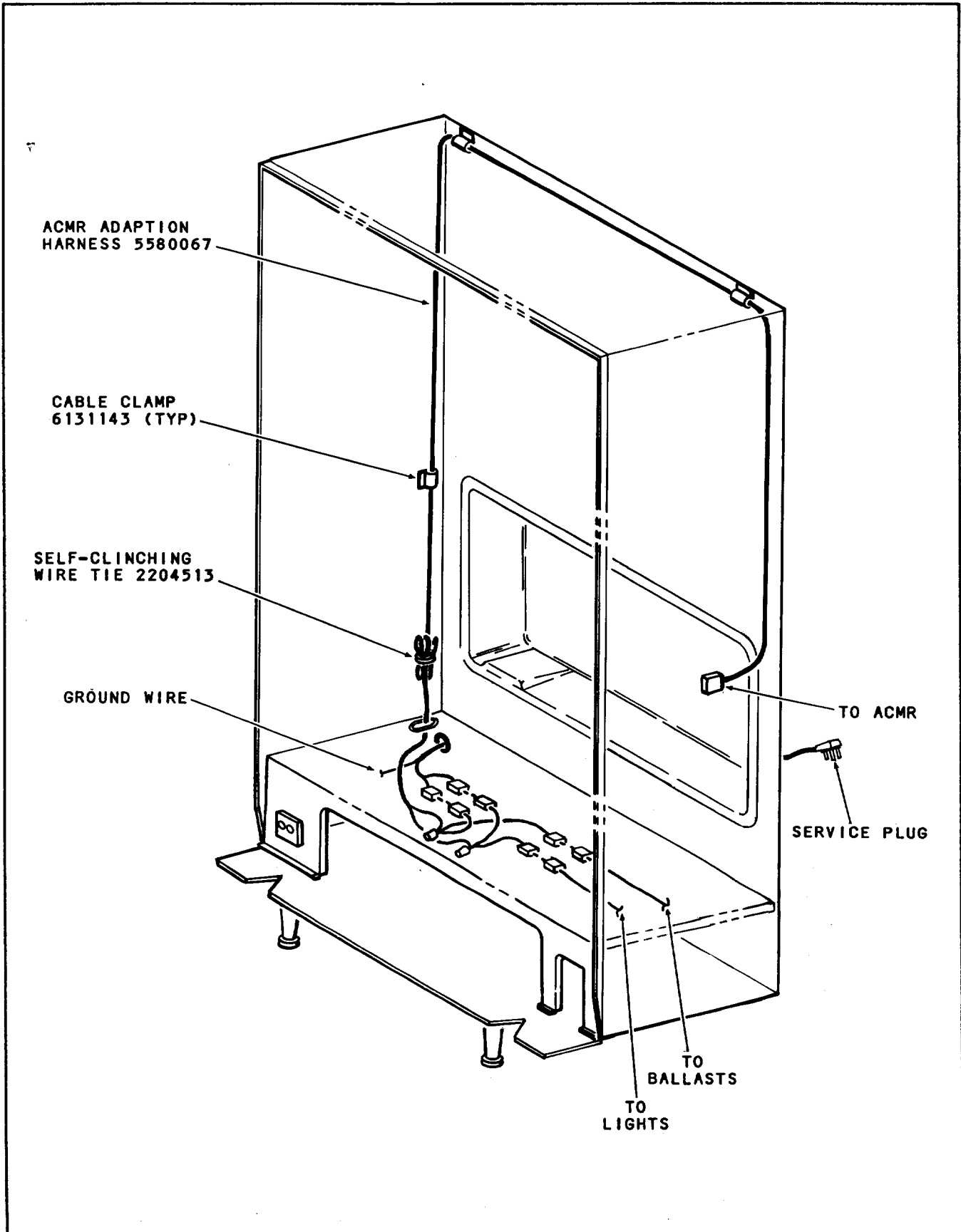


FIGURE 2

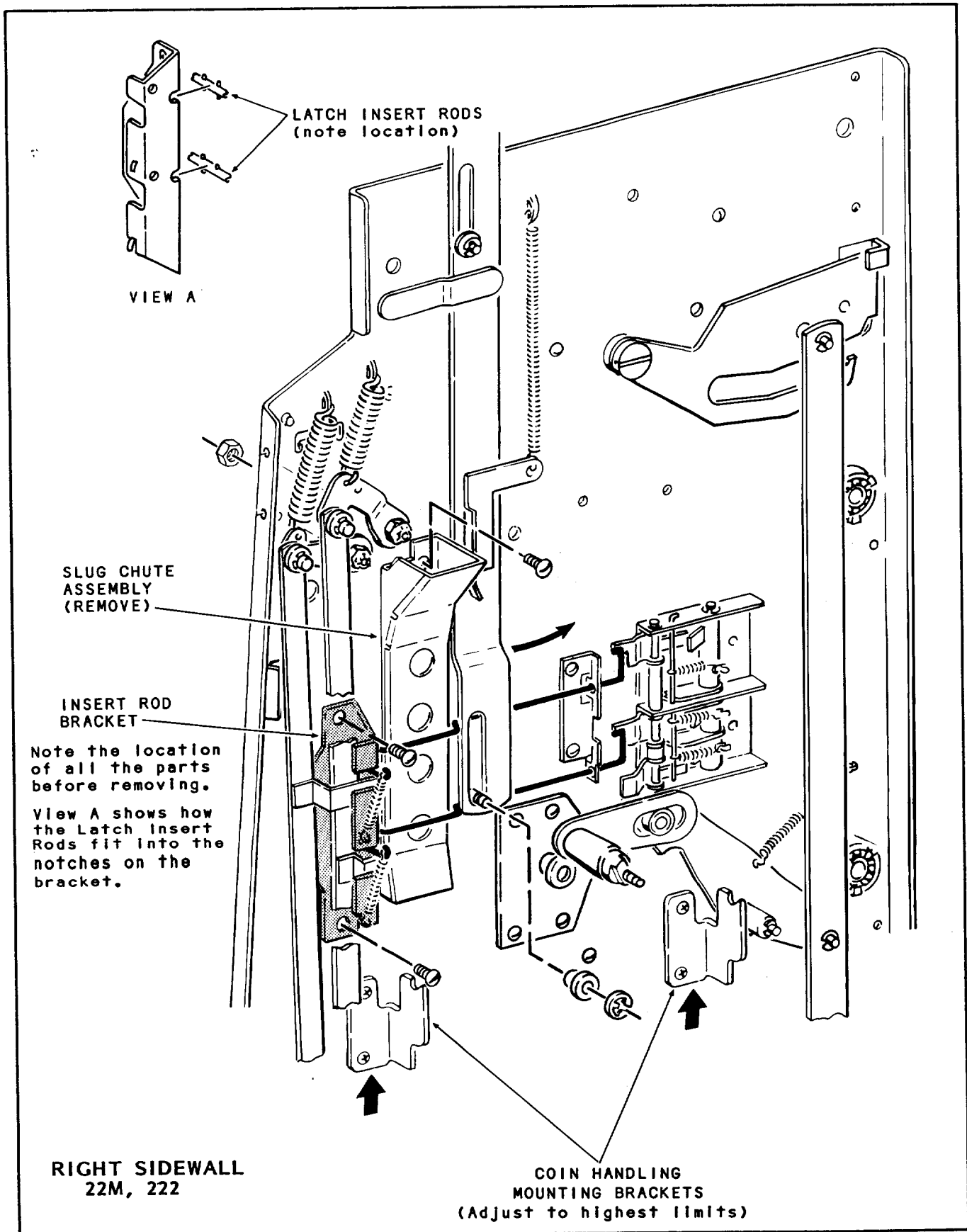


FIGURE 3A

R | L

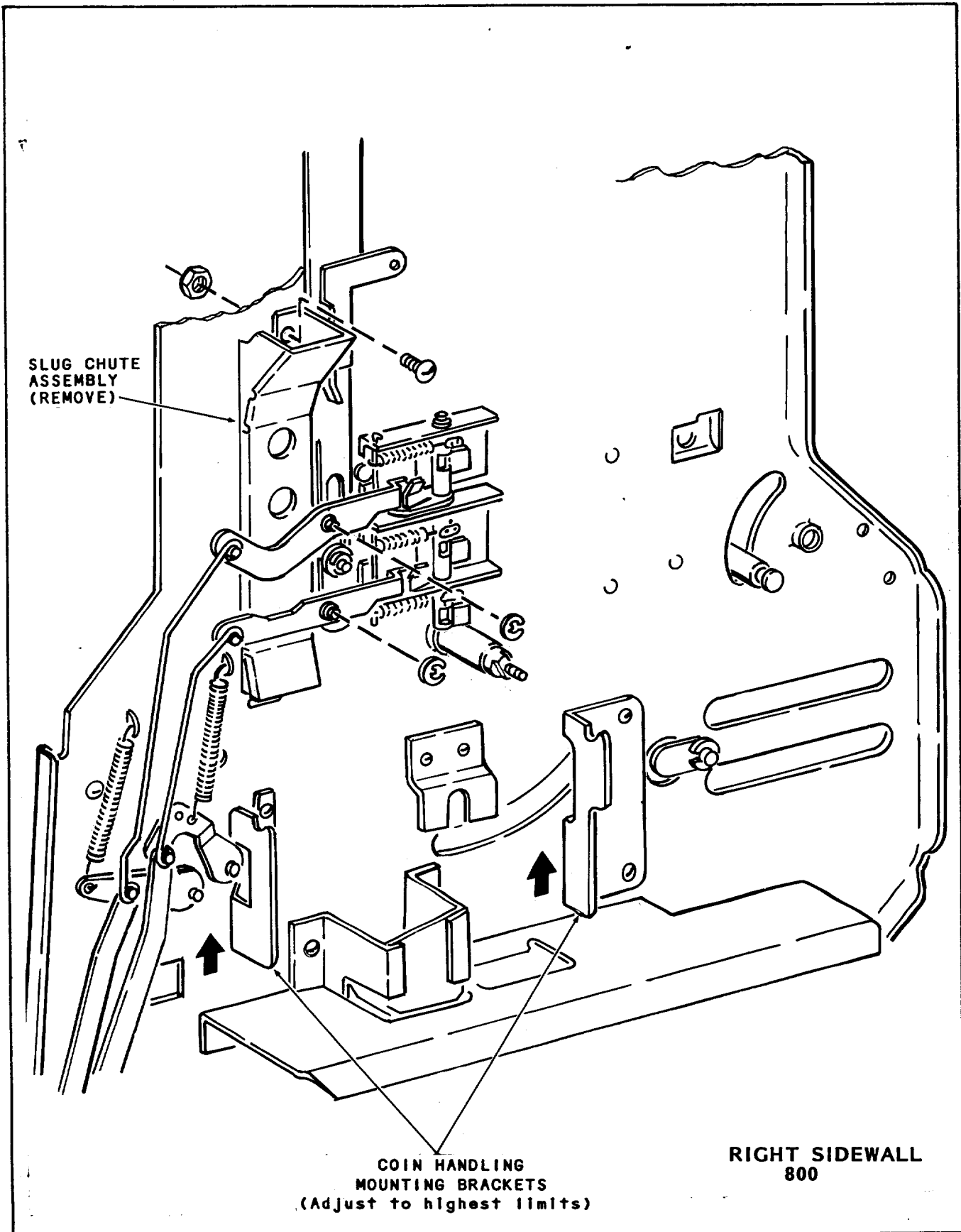


FIGURE 3B

R | | L

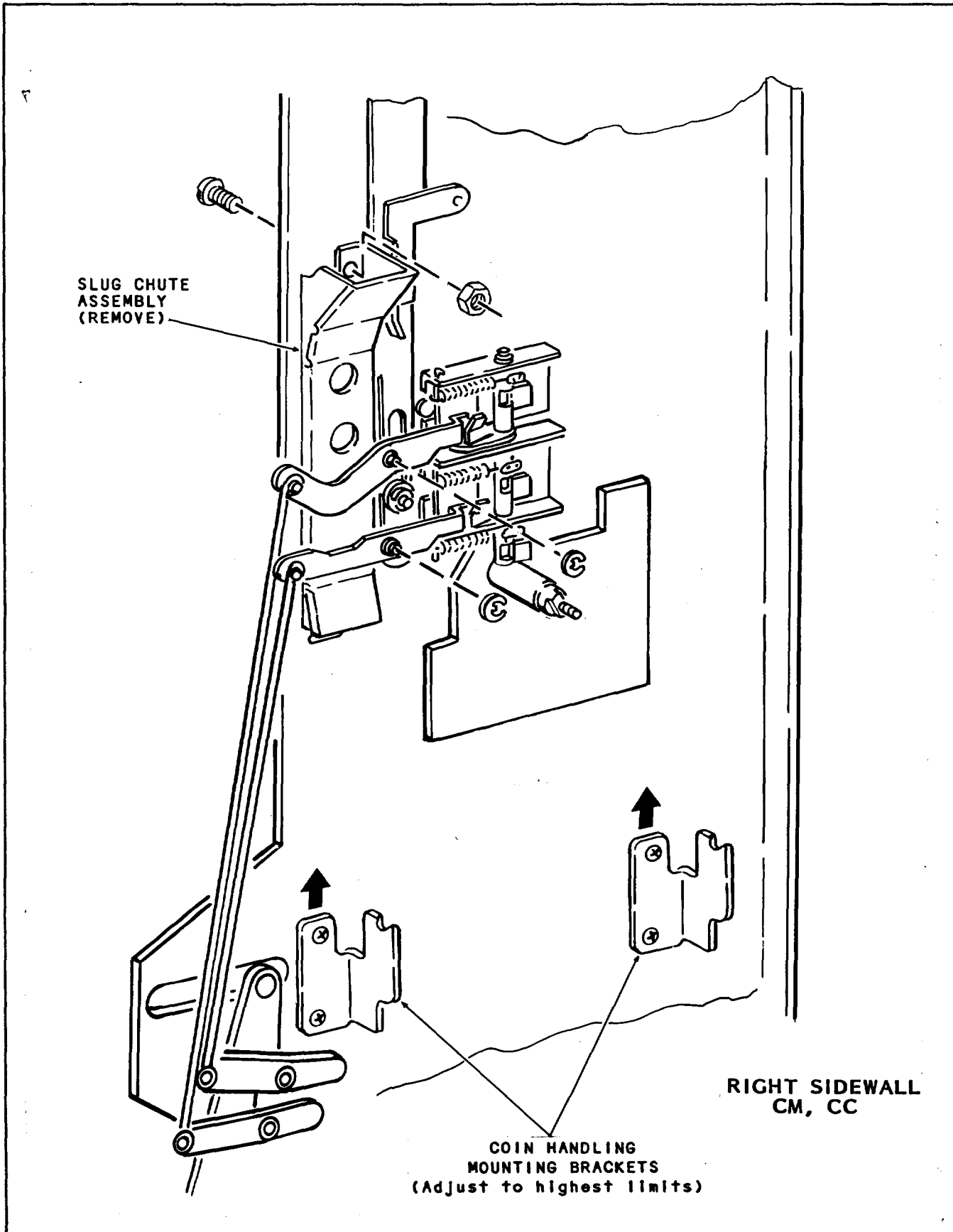


FIGURE 30

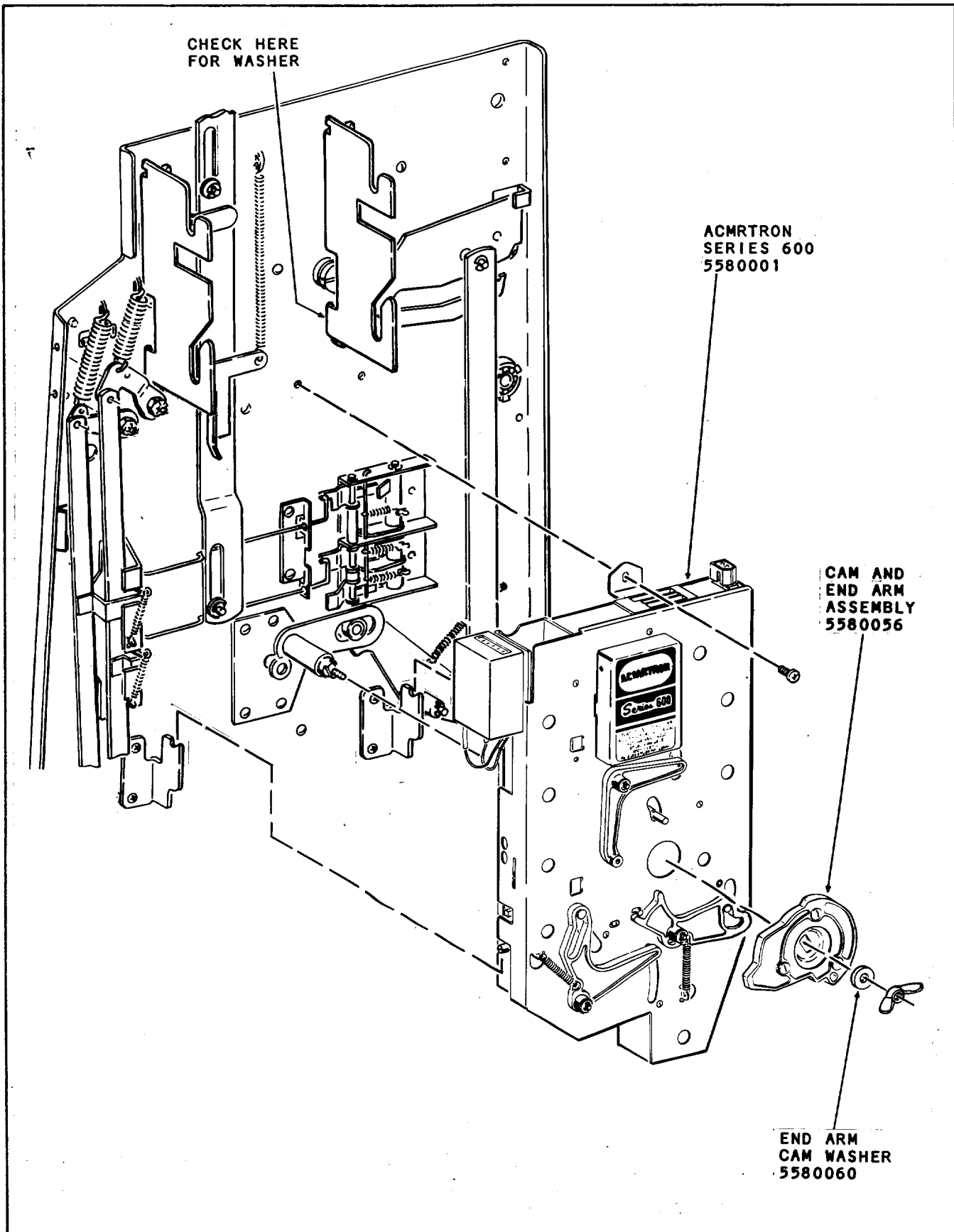


FIGURE 4

4. Put the Mechanism Assembly back into the Cabinet.

CAUTION

The Mechanism Assembly is heavy. To prevent injury, use two people to remove or replace the Unit.

Attach the Adaption Harness to the Coin Unit.

5. The Label, included in the Kit, contains the General Information and Price Setting Instructions for the ACMRTRON . It should be mounted inside the Merchandiser, preferably on the Door. See Figure 5.
6. As mentioned on the Label, make at least one test vend of the coin unit before returning the Merchandiser to service. If unable to make a test vend, proceed with the following:
- A. Rotate the End Arm Cam clockwise. See Figure 6.
 - B. Pull out on a Selection Knob until the ratchet on the sidewall is locked in the first tooth on the Rack Plate Assembly. See Figure 7.
 - C. Check the position of the Cash Box Door Cam. If the pin is too far down in the slot, turn the End Arm Cam counter-clockwise. See Figure 6.
 - D. Make a test vend.
 - E. Pull down on the Coin Return Knob. The Coin Return Door should fall.
 - F. Repeat step B.
 - G. Pull down on the Coin Return Knob. The Coin Return Door should remain in place.

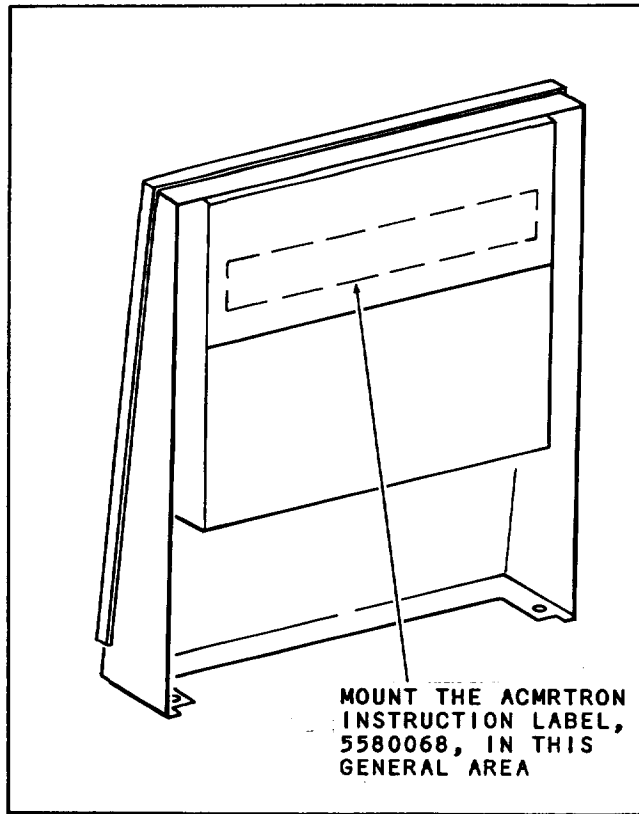


FIGURE 5

WARNING

This equipment generates, uses, and can radiate radio frequency energy, and if not installed and used in accordance with the Instructions, may cause interference to radio communications. It has been tested and found to comply with the limits for a Class computing device pursuant to Subpart J of Part 15 of the FCC Rules. These rules are designed to provide reasonable protection against such interference when operated in a commercial environment. Operation of this equipment in a residential area is likely to cause interference. In these cases the user, at his own expense, will be required to take whatever measures necessary to correct the interference.

R | L

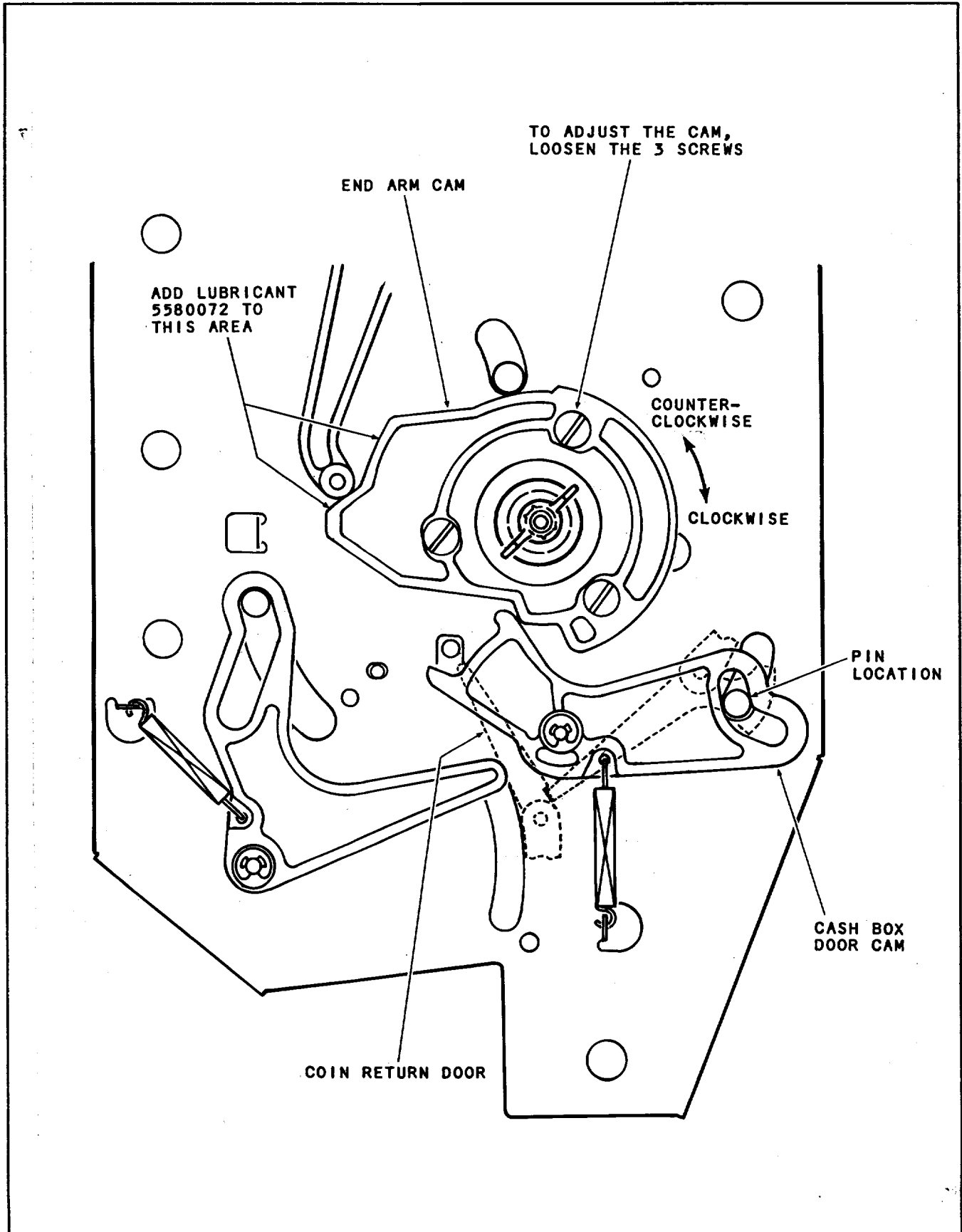


FIGURE 6

R | | L

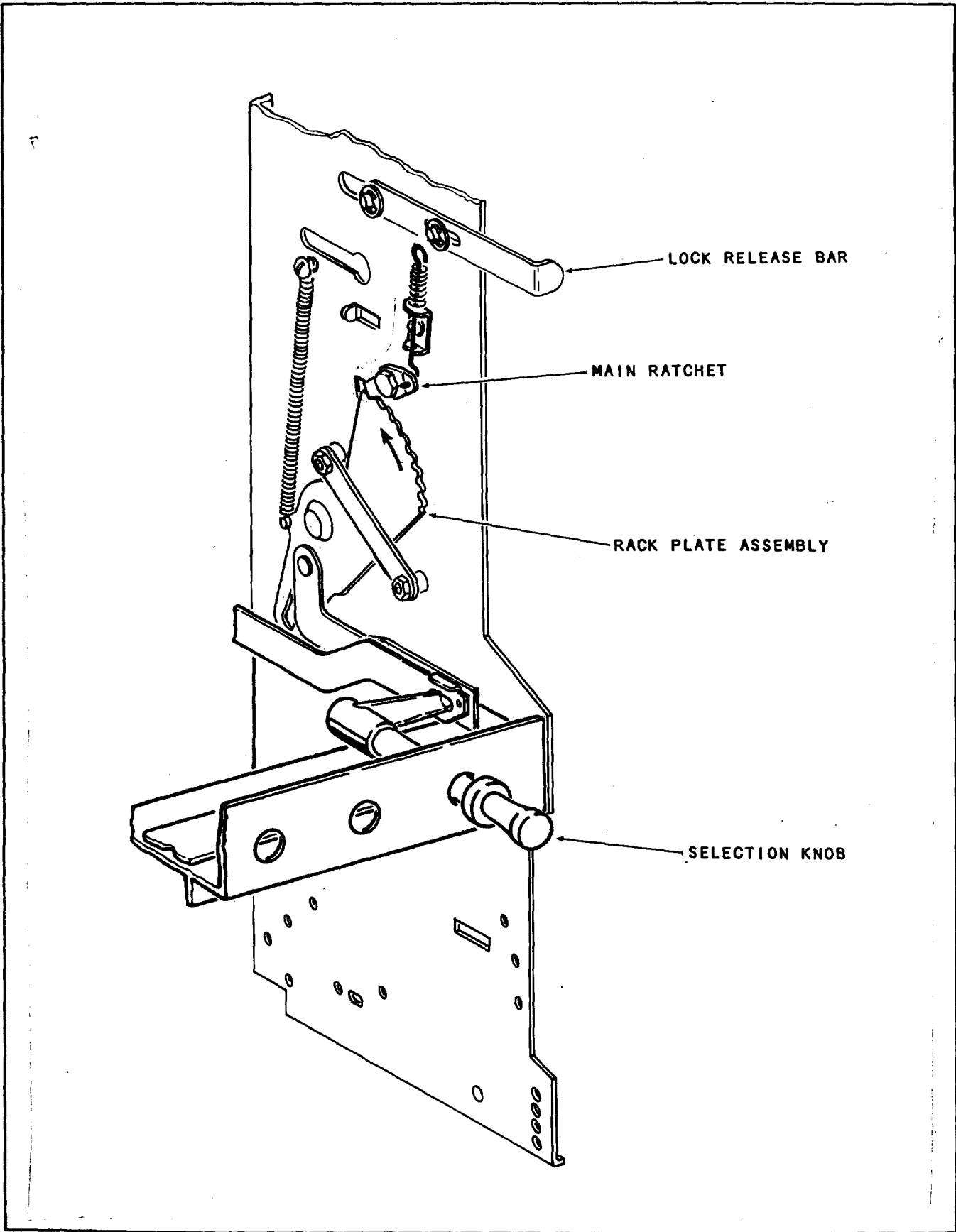


FIGURE 7

This Kit was designed to accommodate the Merchandisers that come off our Assembly Line and have not been altered in any way. If, for any reason, parts have been removed, this Kit may not perform as indicated.

Larry called the following suggestion in.

A large number of operators have 222 and 800 cig units that have the price sheet arm springs removed and they may possibly have lost the removed springs. When the ACM R 600 is installed it may not work on low price due to this fact.

He feels that some instructions should be added to warn operators that without the springs the low price may not vend.

Larry [unclear] [unclear] [unclear] ✓



NATIONAL VENDORS

Signature:

Glen [unclear]

PHONE CALL REPORT

cc
To: *Bobson*
check out
+ add to
list of numbers

DATE: 9-8-82

Copy To: B. Smith

CUSTOMER: _____

H. Pryor

ADDRESS: _____

B. Bell

City _____ State _____ Zip _____

T. Fleer

PHONE: _____

I Talked To: Larry Cohen

About Machine Model: ACMR 600 Serial No. —

Larry called the following suggestion in.

A large number of operators have 222 and 800 cig units that have the price sheet acm springs removed and they may possibly have lost the removed springs. When the ACMR 600 is installed it may not work on low price due to this fact.

He feels that some instructions should be added to warn operators that with out the springs the low price may not vend.



NATIONAL VENDORS

Signature: Glen H. Egan